

iDS-7108HQHI-M1/T 8-ch 1080P Mini 1U H.265 AcuSense DVR



- Deep learning based human and vehicle targets classification of Motion Detection 2.0
- Deep learning-based perimeter protection
- H.265 Pro+/H.265 Pro/H.265 video compression
- HDTVI/AHD/CVI/CVBS/IP video inputs
- Audio via coaxial cable
- Up to 12-ch IP camera inputs (up to 6 MP)
- Encoding ability up to 3K/5M Lite @ 12 fps

▪ **Function**

Targets classification

- Deep learning based human and vehicle targets classification of Motion Detection 2.0
- Deep learning based perimeter protection


Compression and Recording

- H.265 Pro+ video compression improves encoding efficiency, and reduces data storage costs
- Recording at up to 3K / 5 MP Lite resolution

Storage and Playback

- 1 SATA interface (up to 10TB capacity per HDD)
- Smart search for efficient playback

Network & Ethernet Access

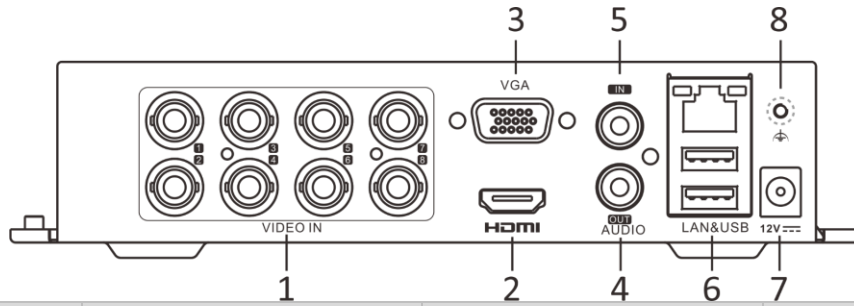
- Hik-Connect & DDNS (Dynamic Domain Name System) for easy network management
- 

▪ Specification

Motion Detection 2.0	
Human/Vehicle Analysis	Deep learning-based motion detection 2.0 is enabled by default for all analog channels, it can classify human and vehicle, and extremely reduce false alarms caused by objects like leaves and lights; Quick search by object or event type is supported;
Perimeter Protection	
Human/Vehicle Analysis	Up to 4-ch
Facial Detection	
Facial Detection and Capture	Face picture detection, face picture search
Video and Audio	
IP Video Input	2-ch (up to 10-ch) Enhanced IP mode on: 4-ch (up to 12-ch), each up to 4 Mbps Up to 6 MP resolution Support H.265+/H.265/H.264+/H.264 IP cameras
Analog Video Input	8-ch BNC interface (1.0 Vp-p, 75 Ω), supporting coaxitron connection
HDTVl Input	3K(2960 × 1665)@25/20 fps, 3K(3328x1504)@20fps, 5 MP(2560 × 1944)@20 fps, 4 MP(2560 × 1440)@30 fps, 4 MP(2560 × 1440)@25 fps, 2K(2304 × 1296)@20 fps, 1080p@30 fps, 1080p@25 fps, 720p@30 fps, 720p@25 fps
AHD Input	5 MP(2592 × 1944)@20 fps, 4 MP(2560 × 1440)@30 fps, 4 MP(2560 × 1440)@25 fps, 1080p@30 fps, 1080p@25 fps, 720p@30 fps, 720p@25 fps
HDCVI Input	3K(2880 × 1620)@25/20 fps, 5 MP(2592 × 1944)@20 fps, 4 MP(2560 × 1440)@30 fps, 4 MP(2560 × 1440)@25 fps, 1080p@30 fps, 1080p@25 fps, 720p@30 fps, 720p@25 fps
CVBS Input	Support
HDMI Output	1-ch, 1920 × 1080/60Hz, 1280 × 1024/60Hz, 1280 × 720/60Hz
VGA Output	1-ch, 1920 × 1080/60Hz, 1280 × 1024/60Hz, 1280 × 720/60Hz
Video Output Mode	HDMI/VGA simultaneous output
Audio Input	1-ch(up to 4-ch is optional), RCA (2.0 Vp-p, 1 KΩ), 4-ch via coaxial cable
Audio Output	1-ch, RCA (Linear, 1 KΩ)
Two-Way Audio	1-ch, RCA (2.0 Vp-p, 1 KΩ) (using the first audio input)
Synchronous Playback	8-ch
Recording	
Video Compression	H.265 Pro+/H.265 Pro/H.265/H.264+/H.264
Encoding Resolution	When 1080p Lite mode is not enabled: 3K lite/5 MP lite/4 MP lite/3MP/1080p/720p/VGA/WD1/4CIF/CIF; When 1080p Lite mode is enabled: 3K lite/5 MP lite/4 MP lite/3 MP/1080p lite/720p lite/VGA/WD1/4CIF/CIF

Frame Rate	<p>Main stream:</p> <p>When 1080p Lite mode not enabled:</p> <p>For 3K stream access: 3K lite@12fps;4 MP lite/1080p@15fps;720p/WD1/4CIF/VGA/CIF@20fps</p> <p>For 5 MP stream access: 5 MP lite@12fps;4 MP lite/1080p@15fps;720p/WD1/4CIF/VGA/CIF@20fps</p> <p>For 4 MP stream access: 4 MP lite/1080p@15fps;720p/WD1/4CIF/VGA/CIF@25fps (P)/30fps (N)</p> <p>For 3 MP stream access: 3 MP@10fps;1080p@15fps;720p/WD1/4CIF/VGA/CIF@25fps (P)/30fps (N)</p> <p>For 1080p stream access: 1080p/720p@15fps; VGA/WD1/4CIF/CIF@25fps (P)/30fps (N)</p> <p>For 720p stream access: 720p/VGA/WD1/4CIF/CIF@25fps (P)/30fps (N)</p> <p>When 1080p Lite mode enabled:</p> <p>3K lite/5 MP lite@12fps;4 MP lite@15fps;3 MP@10fps; 1080p lite/720p lite/VGA/WD1/4CIF/CIF@25fps (P)/30fps (N)</p> <p>Sub-stream:</p> <p>WD1/4CIF@12fps; CIF@25fps (P)/30fps (N)</p>
Video Bitrate	32 Kbps to 6 Mbps
Dual-stream	Support
Stream Type	Video, Video & Audio
Audio Compression	G.711u
Audio Bitrate	64 Kbps
Network	
Total Bandwidth	96 Mbps
Remote Connection	64
Network Protocol	TCP/IP, PPPoE, DHCP, Hik-Connect, DNS, DDNS, NTP, SADP, NFS, iSCSI, UPnP™, HTTPS, ONVIF
Network Interface	1, RJ45 10/100 Mbps self-adaptive Ethernet interface
Wi-Fi	Connectable to Wi-Fi network by Wi-Fi dongle through USB interface
Auxiliary Interface	
SATA	1 SATA interface
Capacity	Up to 10 TB capacity for each disk
Alarm In/Out	N/A (optional to support)
USB Interface	Real panel: 2 × USB 2.0
General	
Power Supply	12 VDC, 1.5 A
Consumption	≤ 12 W (without HDD)
Working Temperature	-10 °C to +55 °C (+14 °F to +131 °F)
Working Humidity	10% to 90%
Dimension (W × D × H)	200 × 200 × 48 mm (7.9 × 7.9 × 1.9 inch)
Weight	≤ 1 kg (without HDD, 2.2 lb.)

▪ Physical Interface

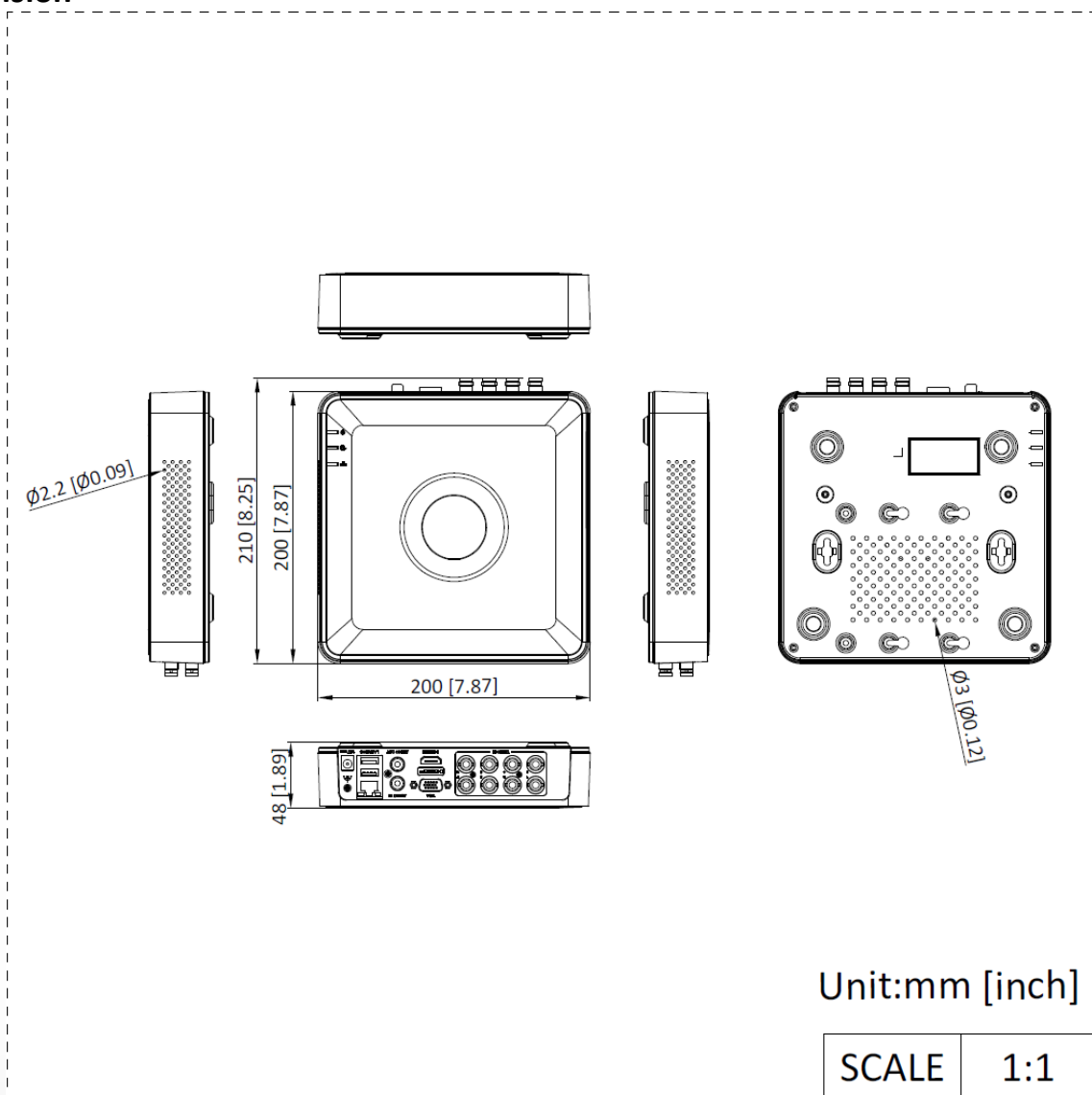


No.	Description	No.	Description
1	Video and coaxial audio in	5	AUDIO IN, RCA connector
2	HDMI interface	6	LAN network interface and USB interface
3	VGA interface	7	12 VDC power input
4	AUDIO OUT, RCA connector	8	GND

▪ Available Model

iDS-7108HQHI-M1/T

▪ Dimension



See Far, Go Further



www.hikvision.com
support@hikvision.com

